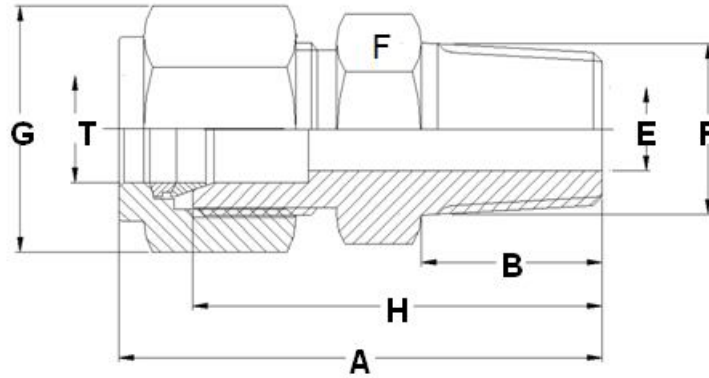


MALE CONNECTOR



INCH OD Tubes X Male NPT Threads

TUBE OD - T	P	A	E	F	G	H	PART NO.
inch	NPT (M)	mm	mm	mm	mm	mm	
1/8	1/8	30.5	2.4	11	11	23.9	18I-MC
1/8	1/4	35.6	2.4	14	11	29.0	18I-14-MC
1/4	1/8	32.8	4.8	14	14	25.4	14I-18-MC
1/4	1/4	37.8	4.8	14	14	30.5	14I-MC
1/4	3/8	38.4	4.8	19	14	31.0	14I-38-MC
1/4	1/2	44.7	4.8	22	14	37.4	14I-12-MC
5/16	1/4	38.6	6.3	14	16	31.2	56I-14-MC
3/8	1/8	35.3	4.8	16	17	27.9	38I-18-MC
3/8	1/4	39.8	7.1	16	17	32.5	38I-14-MC
3/8	3/8	39.8	7.1	19	17	32.5	38I-MC
3/8	1/2	46.8	7.1	22	17	38.9	38I-12-MC
1/2	1/4	43.4	7.1	22	22	33.3	12I-14-MC
1/2	3/8	43.4	9.6	22	22	33.3	12I-38-MC
1/2	1/2	49	10.4	22	22	38.9	12I-MC
1/2	3/4	50.5	10.4	27	22	40.4	12I-34-MC
1/2	1	57.1	10.4	35	22	47.0	12I-11-MC
5/8	3/8	44.2	9.6	24	25	34.0	58I-38-MC
5/8	1/2	49	10.4	24	25	38.9	58I-12-MC
3/4	1/2	50.5	10.4	27	28.5	40.4	34I-12-MC
3/4	3/4	50.5	15.8	27	28.5	40.4	34I-34-MC
3/4	1	57.1	15.8	35	28.5	47.0	34I-11-MC
7/8	3/4	50.5	15.8	30	32	40.4	78I-34-MC
1	1/2	57.4	10.4	35	38	45.2	11I-12-MC
1	3/4	57.4	15.8	35	38	45.2	11I-34-MC
1	1	62.2	22.3	35	38	50.0	11I-MC