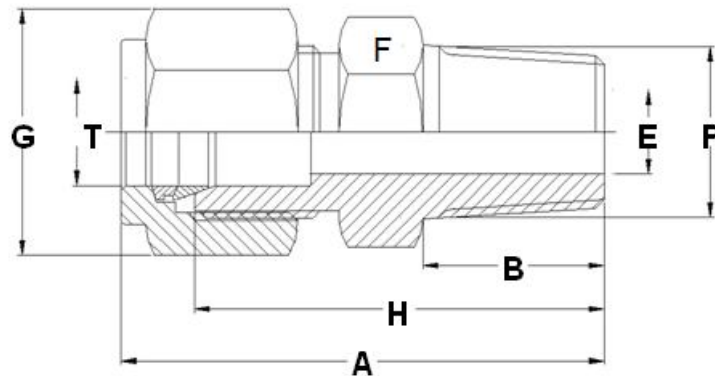


MALE CONNECTOR



METRIC OD Tubes X Male ISO Tapered Pipe Threads

TUBE OD	P	A	E	F	G	H	PART NO.
mm	BSPT (M)	mm	mm	mm	mm	Mm	
3	1/8	30.5	2.4	11	11	23.9	3D-18-MCT
3	1/4	35.6	2.4	14	11	29.0	3D-14-MCT
6	1/8	32.8	4.8	14	14	25.4	6D-18-MCT
6	1/4	37.9	4.8	14	14	30.5	6D-14-MCT
6	3/8	38.4	4.8	19	14	31.0	6D-38-MCT
6	1/2	44.7	4.8	20	14	37.3	6D-12-MCT
8	1/8	34.2	4.8	14	16	26.7	8D-18-MCT
8	1/4	38.7	6.3	14	16	31.2	8D-14-MCT
8	3/8	39.3	6.3	19	16	31.8	8D-38-MCT
8	1/2	45.6	6.3	22	16	38.1	8D-12-MCT
10	1/8	36.3	4.8	17	19	28.7	10D-18-MCT
10	1/4	40.9	7.9	19	19	33.3	10D-14-MCT
10	3/8	40.9	7.9	19	19	33.3	10D-38-MCT
10	1/2	46.5	7.9	22	19	38.9	10D-12-MCT
12	1/4	43.4	7.1	22	22	33.3	12D-14-MCT
12	3/8	43.4	9.5	22	22	33.3	12D-38-MCT
12	1/2	49	9.5	22	22	38.9	12D-12-MCT
12	3/4	50.5	9.5	27	22	40.4	12D-34-MCT
12	1	57.1	9.5	35	22	47.0	12D-11-MCT
14	3/8	44.1	9.5	24	25	34.0	14D-38-MCT
14	1/2	49	11.1	24	25	38.9	14D-12-MCT
16	3/8	44.1	9.5	24	25	34.0	16D-38-MCT
16	1/2	49	11.9	24	25	38.9	16D-12-MCT
16	3/4	50.5	12.7	27	25	40.4	16D-34-MCT
18	1/2	50.5	11.9	27	30	40.4	18D-12-MCT
18	3/4	50.5	15.1	27	30	40.4	18D-34-MCT
20	1/2	52.3	15.9	30	32	42.2	20D-12-MCT
20	3/4	57.1	18.3	35	32	42.2	20D-34-MCT
25	1/2	57.5	11.9	35	38	45.2	25D-12-MCT
25	3/4	57.5	15.8	35	38	45.2	25D-34-MCT
25	1	62.3	21.8	35	38	50.0	25D-11-MCT